

Circuit diagram
for
Sauna
Control unit
Typ 18028

with one heater
-9KW

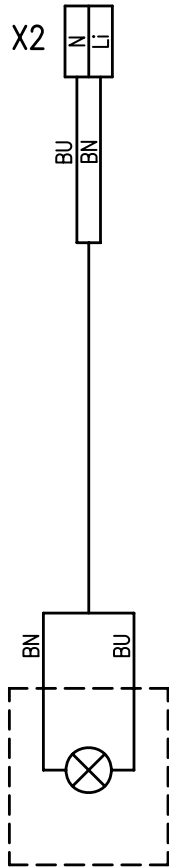
Connecting clamp in control unit 18028

light

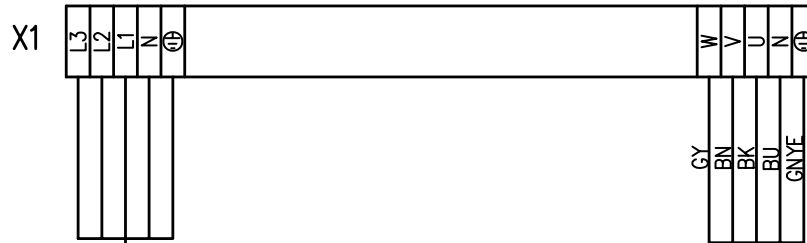
net

heating unit

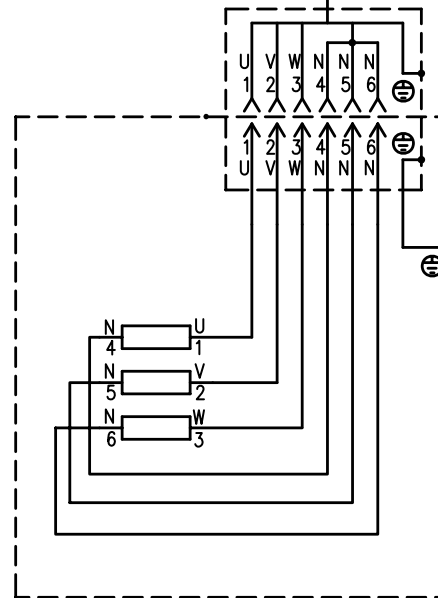
temperature sensor temp/STB



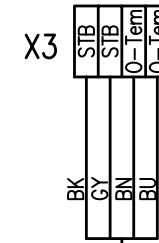
light
230 V, 25 or 40 W



Supply line 3/N/PE ~ 400 V
over FI $I_{\Delta N} \leq 0.03$ A
fuse protection B 16 A
connections possibility max. 2,5 mm²



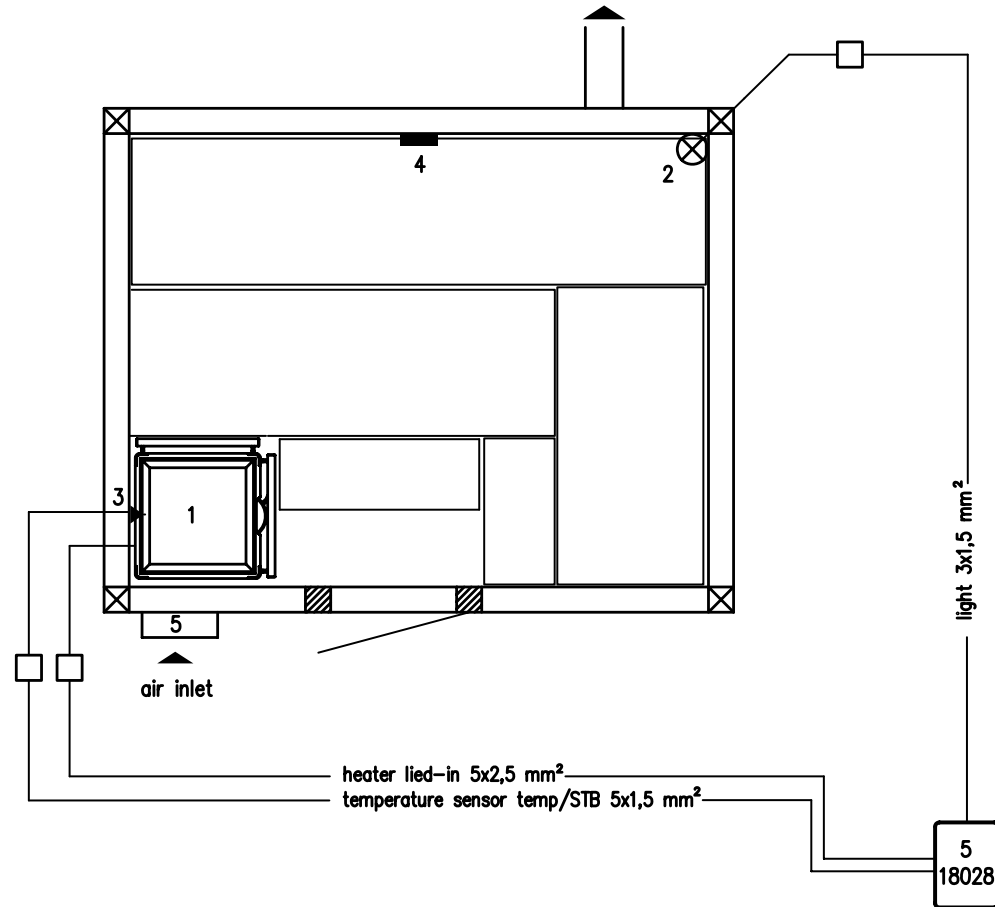
heating unit Majus, Bonatherm VS
and Pluris ≤ 9 kW



temperature sensor
temp/STB

					Datum	22.4.10	Layout diagram		KLAFS		Sauna		Control unit 18028		=
					Bearb.	VHerr			Erich-Klafs-Str. 1-3						+
					Gepr.				74523 Schwäbisch Hall						
Index	Änderung	Datum	Name	Norm	Urspr.	Ers.f.	Ers.d.					50701170		Blatt 1	
1		2			3		4	5	6	7	8	von 3 Bl			

Installation diagram for Klafs-Sauna-technik
with Majus and Pluris heating units



Legend:

- 1 = Heating unit
- 2 = Light
- 3 = Temperature sensor temp/STB
height = 0.10 m below sauna ceiling (middle of the housing)
The limiter unit is mounted at 2.10 m when
the sauna is higher than 2.20 m.
- 4 = Thermometer
height = 0.15 m below sauna ceiling (middle of the housing)
- 5 = Control unit 18029
Height 1.65 m above finished floor level (centre of display).

Supply line 3/N/PE ~ 400 V
over FI $I_{\Delta N} \leq 0.03$ A
fuse protection B 16 A
connections possibility max. 2,5 mm²

Important!

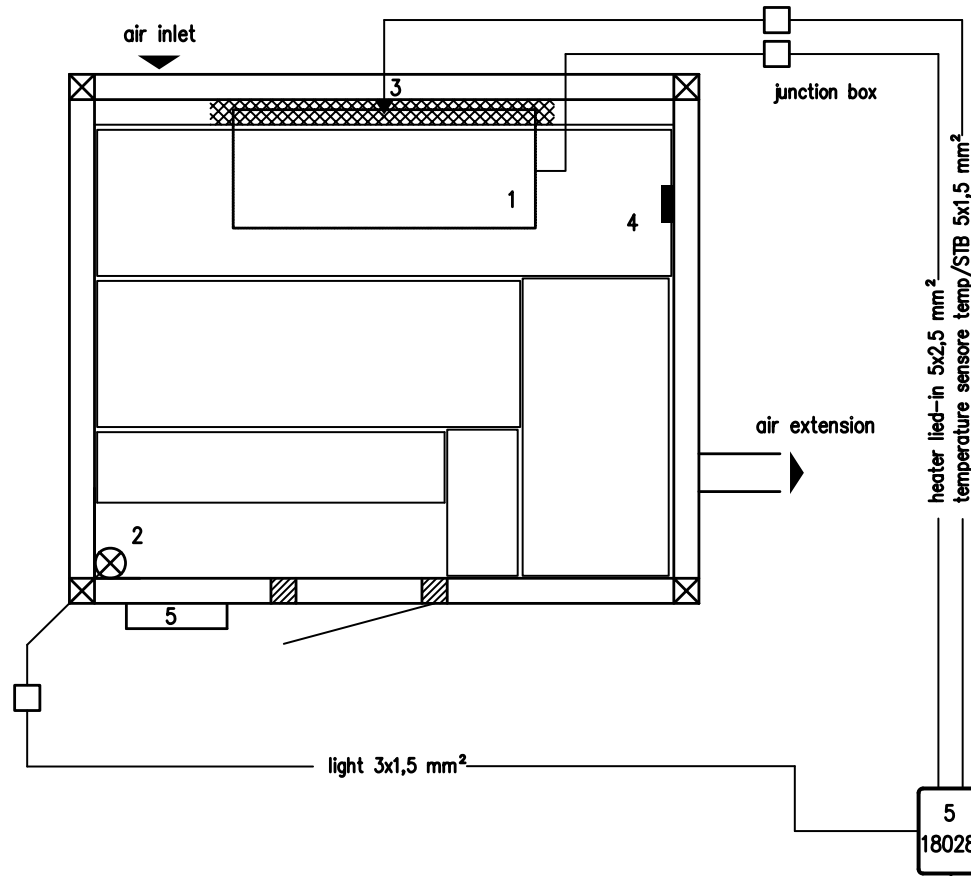
All electric cables inside the sauna have to be silicone coated!
In case of external control unit, junction boxes have to be installed close to the sauna cabin for the transition of NYM-cables to silicon cables.
In order to determine the cable cross-section, cable length and ambient temperature (acc. to VDE 0100 part 430 and 523) have to be respected.
Ambient temperature plant room 0°C - 40°C.
Air humidity max. 80 % RH.
If the control unit is not installed within visual range of the cabin door, standard EN 60335 (requirements for telecontrol) has to be respected.

Installation Instructions:

Minimum distances as indicated on the heater warning sign has to be definitely respected!

					Datum	22.4.10	Installation diagram		KLAFS		Sauna		Control unit 18028		=
					Bearb.	VHerr	Majus, Pluris		Erich-Klafs-Str. 1-3						+
					Gepr.				74523 Schwäbisch Hall						
Index	Änderung	Datum	Name	Norm	Urspr.	Ers.f.	Ers.d.					50701170		Blatt 2	
1		2			3			4		5		6	7	8	von 3 Bl

Installation diagram for Klafs-Sauna-technik
with Bonatherm heating unit



Legend:

- 1 = Heating unit
- 2 = Light
- 3 = Temperature sensor temp/STB
height = 0.10 m below grille hot air canal
centric above heating unit (middle of the housing)
- 4 = Thermometer
height = 0.15 m below sauna ceiling (middle of the housing)
- 5 = Control unit 18028
Height 1.65 m above finished floor level (centre of display).

Supply line 3/N/PE ~ 400 V
over FI $I_{\Delta N} \leq 0.03$ A
fuse protection B 16 A
connections possibility max. 2,5 mm²

Important!

All electric cables inside the sauna have to be silicone coated!
In case of external control unit, junction boxes have to be installed close to the sauna cabin for the transition of NYM-cables to silicon cables.
In order to determine the cable cross-section, cable length and ambient temperature (acc. to VDE 0100 part 430 and 523) have to be respected.
Ambient temperature plant room 0°C - 40°C.
Air humidity max. 80 % RH.
If the control unit is not installed within visual range of the cabin door, standard EN 60335 (requirements for telecontrol) has to be respected.

Installation Instructions:

Minimum distances as indicated on the heater warning sign has to be definitely respected!

					Datum	22.4.10	Installation diagram		KLAFS		Sauna		Control unit 18028		=	
					Bearb.	VHerr	Bonatherm		Erich-Klafs-Str. 1-3						+	
					Gepr.				74523 Schwäbisch Hall							
Index	Änderung	Datum	Name	Norm	Urspr.	Ers.f.	Ers.d.					50701170		Blatt 3		
1		2			3		4	5	6	7	8	von 3 Bl				